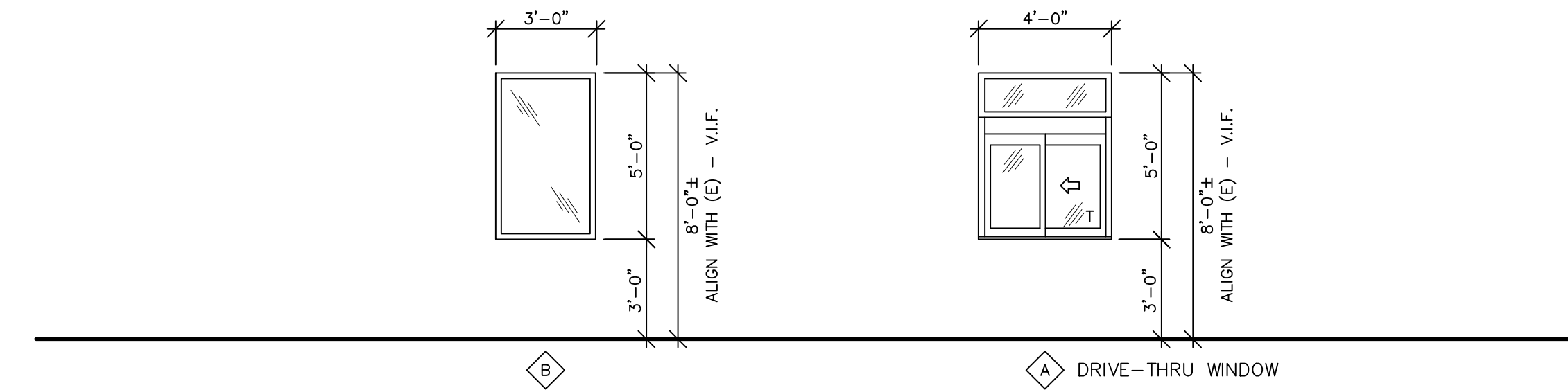


WINDOW TYPES



1. (N) STOREFRONT

- NOTES:
- SEE SPECIFICATIONS FOR GLASS TYPES.
 - T = TEMPERED GLASS
 - STOREFRONT FRAMING TO BE DARK BRONZE ALUMINUM TO MATCH EXISTING FINISH
 - FOR EXTERIOR ASSEMBLY, REFER TO SHEET 4/A5.0

- SOLAR-CONTROL LOW-E INSULATING-GLASS UNITS (GL-1):
- BASIS-OF-DESIGN PRODUCT: PPG INDUSTRIES, INC.; SOLORBAN 60, CLEAR, OR A COMPARABLE PRODUCT BY ONE OF THE FOLLOWING:
 - PILKINGTON SALES (NORTH AMERICA) LTD
 - VIRACON.
 - OVERALL UNIT THICKNESS AND THICKNESS OF EACH LITE: 1-INCH AND 1/4-INCH.
 - INTERSPACE CONTENT: ARGON.
 - OUTDOOR LITE: CLASS 1 (CLEAR) FLOAT GLASS, 1/4-INCH THICK
 - INDOOR LITE: CLASS 1 (CLEAR) FLOAT GLASS, 1/4-INCH THICK
 - LOW-E COATING: SPUTTERED ON SECOND SURFACE.

GENERAL NOTES:

- ALL EXIT DOORS SHALL BE KEYLESS IN THE DIRECTION OF EGRESS.
- THE OPENING FORCE OF ALL EXT. PUSH/PULL DOORS SHALL NOT EXCEED 5 LBS.
- THE OPENING FORCE OF ALL INTERIOR PUSH/PULL DOORS SHALL NOT EXCEED 5 LBS.
- PROVIDE PANIC HARDWARE FOR ALL EXTERIOR DOORS AS NOTED ON THE DOOR SCHEDULE.
- ALL DOOR HARDWARE SHALL NOT REQUIRE TIGHT GRASPING, TIGHT PINCHING OR TWISTING OF THE WRIST TO OPERATE.
- EXIT DOOR HARDWARE SHALL BE OPERABLE FROM THE INSIDE WITHOUT THE USE OF A KEY OR SPECIAL KNOWLEDGE OR EFFORT.

DOOR #1

- CLOSER: LCN 4021 x 18
- HINGES: OFFSET PIVOT ANSI -A-156.4 GRADE 1; PROVIDE EXPOSED PARTS OF CAST ALUMINUM ALLOY, AS SUPPLIED BY DOOR MANUFACTURER.
- PUSH/PULL HANDLE: KAWNEER #CO-9 OR HAGER PUSH/PULL SET 164D/V/B.
- PANIC HARDWARE: ADAMS RITE MFG. CO. 8800 SERIES WITH OUTSIDE CYLINDER (FINISH TO MATCH STOREFRONT DOOR)
- THRESHOLD: NATIONAL GUARD PRODUCTS, INC. SADDLE TYPE THRESHOLD 325, 36" WIDE x 1/2" RISE (ADA ACCESSIBLE).
- WEATHER STRIPPING: PROVIDE COMPRESSION WEATHER STRIPPING AGAINST FIXED STOPS. AT OTHER EDGES PROVIDE SLIDING WEATHER STRIPPING RETAINED IN ADJUSTABLE STRIP MORTISED INTO DOOR EDGE. PROVIDE EPDM OR VINYL GASKET WEATHER STRIPPING IN BOTTOM DOOR RAIL ADJUSTABLE FOR CONTACT W/ THRESHOLD.
- SIGN: MOUNT ONTO DOOR, TO READ "THIS DOOR MUST REMAIN UNLOCKED WHENEVER THE BUILDING IS OCCUPIED/DURING BUSINESS HOURS."

DOOR #1A

- CLOSER: LCN 4021 x 18
- HINGES: OFFSET PIVOT ANSI -A-156.4 GRADE 1; PROVIDE EXPOSED PARTS OF CAST ALUMINUM ALLOY, AS SUPPLIED BY DOOR MANUFACTURER.
- PUSH/PULL HANDLE: KAWNEER #CO-9 OR HAGER PUSH/PULL SET 164D/V/B.
- PANIC HARDWARE: ADAMS RITE MFG. CO. 8800 SERIES WITH OUTSIDE CYLINDER (FINISH TO MATCH STOREFRONT DOOR)
- THRESHOLD: NATIONAL GUARD PRODUCTS, INC. SADDLE TYPE THRESHOLD 325, 36" WIDE x 1/2" RISE (ADA ACCESSIBLE).
- WEATHER STRIPPING: PROVIDE COMPRESSION WEATHER STRIPPING AGAINST FIXED STOPS. AT OTHER EDGES PROVIDE SLIDING WEATHER STRIPPING RETAINED IN ADJUSTABLE STRIP MORTISED INTO DOOR EDGE. PROVIDE EPDM OR VINYL GASKET WEATHER STRIPPING IN BOTTOM DOOR RAIL ADJUSTABLE FOR CONTACT W/ THRESHOLD.
- SIGN: MOUNT ONTO DOOR, TO READ "THIS DOOR MUST REMAIN UNLOCKED WHENEVER THE BUILDING IS OCCUPIED/DURING BUSINESS HOURS."

DOOR #2

- CLOSER: LCN 4041 x 18
- HINGES: OFFSET PIVOT ANSI -A-156.4 GRADE 1; BY DOOR MANUFACTURER.
- PUSH/PULL HANDLE: HAGER PUSH/PULL SET 164D/V/B.
- CLOSER: 4111 H-CUSH ALUM
- HINGE: HAGER ROTON 780-112HD 83", CLEAR ANODIZED FINISH.
- PANIC HARDWARE: EXIT ONLY PANIC, NO CYLINDER
- VON DUPRIN 9975EO LD 48" SP28
- PULL HANDLE: VON DUPRIN 990 DT US 260
- DETEX: MODEL NO. EAX-2500 FLUSH DOOR ALARM.
- WEATHER STRIPPING: NATIONAL GUARD 160V 36" x 84"
- DOOR SILENCERS: HAGER, QUANTITY = 3.
- 9"x9" SECURITY FRAME VIEW WINDOW W/FLOP BY NATIONAL GUARD, L-VGLF-MD
- THRESHOLD: NATIONAL GUARD PRODUCTS, INC. SADDLE TYPE THRESHOLD 325HD, 48" WIDE x 1/2" RISE (ADA ACCESSIBLE).
- DOOR SWEEP: NATIONAL GUARD 101AV 48"
- 24"x46" DIAMOND TREAD PLATE (McTREAD PLATE) - .063" THICK (INTERIOR FACE ONLY)
- 12" LATCH GUARD

DOOR #3

- CLOSER: 4111 H-CUSH ALUM
- HINGE: HAGER ROTON 780-112HD 83", CLEAR ANODIZED FINISH.
- LOCKSET: SCHLAGE DEAD BOLT LOCK 8-661B #28
- PULL HANDLE: HAGER H3E US28
- LATCH GUARD: DON-JO CLP110 US260
- WEATHER STRIPPING: NATIONAL GUARD 160V 36" x 84"
- DOOR SILENCERS: HAGER, QUANTITY = 3.
- 9"x9" SECURITY FRAME VIEW WINDOW W/FLOP BY NATIONAL GUARD, L-VGLF-MD
- THRESHOLD: NATIONAL GUARD PRODUCTS, INC. SADDLE TYPE THRESHOLD 325HD, 48" WIDE x 1/2" RISE (ADA ACCESSIBLE).
- DOOR SWEEP: NATIONAL GUARD 101AV 48"
- 24"x46" DIAMOND TREAD PLATE (McTREAD PLATE) - .063" THICK (INTERIOR FACE ONLY)
- 12" LATCH GUARD

DOOR #4

- CLOSER: 4111 H-CUSH ALUM
- HINGE: HAGER ROTON 780-112HD 83", CLEAR ANODIZED FINISH.
- PANIC HARDWARE: EXIT ONLY PANIC, NO CYLINDER
- VON DUPRIN 9975EO LD 36" SP28
- PULL HANDLE: VON DUPRIN 990 DT US 260
- DETEX: MODEL NO. EAX-2500 FLUSH DOOR ALARM.
- WEATHER STRIPPING: NATIONAL GUARD 160V 36" x 84"
- DOOR SILENCERS: HAGER, QUANTITY = 3.
- 9"x9" SECURITY FRAME VIEW WINDOW W/FLOP BY NATIONAL GUARD, L-VGLF-MD
- THRESHOLD: NATIONAL GUARD PRODUCTS, INC. SADDLE TYPE THRESHOLD 325HD, 36" WIDE x 1/2" RISE (ADA ACCESSIBLE).
- DOOR SWEEP: NATIONAL GUARD 101AV 36"
- 12" LATCH GUARD

DOOR #5

- CLOSER: LCN LDP4A031 SNB ALUM, PULL SIDE MOUNTED
- HINGES: HAGER BB1279 US 26D 4 1/2" x 4 1/2" - 1-1/2" PAIR OR EQUAL.
- PUSH & PULL PLATE: PUSH - HAGER 30S 4x16 US 28; PULL - HAGER H33E 4x16 US 28
- WALL STOP: HAGER 236W US 32 D
- KICK PLATES: HAGER 190S US28, ALUM, 8" x 34" (2) PER DOOR
- DOOR SILENCERS: HAGER, QUANTITY = 3
- SAFETY GUARDS: FINGER SAFE MKIB OPEN HINGE SIDE AND MKIB CLOSED HINGE SIDE OF DOOR, BRN
- UNDERCUT DOOR BY 3/4"

DOOR #6

- HINGES: HAGER BB1250 US 26D 4 1/2" x 4 1/2" - 1 PAIR AND HAGER BB1279 US 26D 4 1/2" x 4 1/2" - 1/2 PAIR
- LOCKSET: HAGER #3215 (modified) US 26D DEAD BOLT
- PULL HANDLE: HAGER CA09 CFC 2 1/8 32D (EACH SIDE)
- WALL STOP: HAGER 236W US 32 D
- COAT HOOK: BRADLEY 932 ROBE HOOK, INSIDE FACE OF DOOR AT 48" A.F.F.

DOOR #6A

- HINGES: HAGER BB1250 US 26D 4 1/2" x 4 1/2" - 1 PAIR AND HAGER BB1279 US 26D 4 1/2" x 4 1/2" - 1/2 PAIR
- LOCKSET: HAGER #3215 (modified) US 26D DEAD BOLT
- PULL HANDLE: HAGER CA09 CFC 2 1/8 32D (EACH SIDE)
- WALL STOP: HAGER 236W US 32 D
- COAT HOOK: BRADLEY 932 ROBE HOOK, INSIDE FACE OF DOOR AT 48" A.F.F.

DOOR #7

- HINGES: HAGER BB1250 US 26D 4 1/2" x 4 1/2" - 1 PAIR, OR EQUAL
- LOCKSET: SCHLAGE N80PD RHODES US28 D FINISH
- PULL HANDLE: HAGER BB1279 US 26D 4 1/2" x 4 1/2" - 1/2 PAIR, OR EQUAL
- LOCKSET: SCHLAGE N80PD RHODES US28 D FINISH
- GRILLE: NATIONAL GUARD L-7000 48" x 48" LOWEDED GRILLE AT BASE OF DOOR.

DOOR #8

- HINGES: HAGER BB1279 US 26D 4 1/2" x 4 1/2" - 3 PAIR, OR EQUAL
- LOCKSET: SCHLAGE N80PD RHODES US28 D FINISH
- FLUSH BOLTS: HAGER 283D US260 FINISH

DOOR #9

- HINGES: HAGER BB1279 US 26D 4 1/2" x 4 1/2" - 1 PAIR, OR EQUAL
- LOCKSET: SCHLAGE N80PD RHODES US28 D FINISH

DOOR #10

- CLOSER: 4111 H-CUSH ALUM
- HINGE: HAGER ROTON 780-112HD 83", CLEAR ANODIZED FINISH.
- PANIC HARDWARE: EXIT ONLY PANIC, NO CYLINDER
- VON DUPRIN 9975EO LD 36" SP28
- ELECTRIC STRIKE: VON DUPRIN 6211 24V FSE DC
- HORN: SCHLAGE, L1910-1
- PUSH BUTTON ACCESS DEVICE: (2 EA) SCHLAGE 821 RD-DA HDP 626
- POWER SUPPLY: SCHLAGE P902
- WEATHER STRIPPING: NATIONAL GUARD 160V 36" x 84"
- DOOR SILENCERS: HAGER, QUANTITY = 3
- 4"x25" VIEW WINDOW: NATIONAL GUARD L-VGLF-MD, CLEAR VIEW FRAME/VIEW WINDOW
- 10" LATCH GUARD: HAGER-CLP-110
- DOOR SWEEP: VON DUPRIN, 990 DT
- 24"x46" DIAMOND TREAD PLATE (McTREAD PLATE) - .063" THICK (INTERIOR FACE ONLY)

DOOR #11

- CLOSER: LCN LDP4A031 SNB ALUM, PULL SIDE MOUNTED
- HINGES: HAGER -BB1279 4 1/2"x 4 1/2" - 1-1/2 PAIR OR EQUAL
- LOCKSET: SCHLAGE ND-40S RHOD US26 D FINISH.
- KICK PLATES: HAGER 190S US28, ALUM, 8" x 34" (2) PER DOOR
- DOOR SILENCERS: HAGER, QUANTITY = 3
- SAFETY GUARDS: FINGER SAFE MKIB OPEN HINGE SIDE AND MKIB CLOSED HINGE SIDE OF DOOR, BRN
- TOE GUARD 202 NA 36" - ALUM (202 N DKB-BRONZE)

DOOR #12 (EMERGENCY EXIT ONLY)

- CLOSER: LCN 4041 x 18
- HINGES: OFFSET PIVOT SET, GRADE 1 CAST ALUMINUM ALLOY AS SUPPLIED BY DOOR MANUFACTURER.
- PANIC HARDWARE: ADAMS RITE MFG. CO. 8800 SERIES (EXIT ONLY) (FINISH TO MATCH STOREFRONT DOOR)
- THRESHOLD: NATIONAL GUARD PRODUCTS, INC. SADDLE TYPE THRESHOLD 325, 36" WIDE x 1/2" RISE (ADA ACCESSIBLE).
- WEATHER STRIPPING: PROVIDE COMPRESSION WEATHER STRIPPING AGAINST FIXED STOPS. AT OTHER EDGES PROVIDE SLIDING WEATHER STRIPPING RETAINED IN ADJUSTABLE STRIP MORTISED INTO DOOR EDGE. PROVIDE EPDM OR VINYL GASKET WEATHER STRIPPING IN BOTTOM DOOR RAIL ADJUSTABLE FOR CONTACT W/THRESHOLD.
- ALARM: DETEX MODEL NO. EAX-2500-ACS.

DOOR #13

- HINGES: HAGER BB1279 US 26D 4 1/2" x 4 1/2" - 1-1/2 PAIR, OR EQUAL
- LOCKSET: SCHLAGE N80PD RHODES US28 D FINISH

DOOR #14

- HINGES: HAGER BB1279 US 26D 4 1/2" x 4 1/2" - 1-1/2 PAIR, OR EQUAL
- LOCKSET: SCHLAGE N80PD RHODES US28 D FINISH

DOOR #9

- ALL DOOR HARDWARE FOR THE REFRIGERATED COOLER / FREEZER SHALL BE PROVIDED BY THE MANUFACTURER.
- MANUFACTURER: KOLPAK @ HY 614 N MADONLE PARK ROAD PARSONS, TN 38363 PHONE: 800-344-4675
- HARDWARE PROVIDED:
 - MAGNETIC PERMITTER DOOR GASKET
 - THRESHOLD REINFORCED PLASTIC (FRP)
 - POS-SEAL DOOR CLOSURE
 - STATIONARY CHROME DOOR PULL HANDLE
 - INTERIOR SAFETY RELEASE HANDLE
 - HINGES - BRUSHED CHROME CAST ALLOY

DOOR #10

- CLOSER: 4111 H-CUSH ALUM
- HINGE: HAGER ROTON 780-112HD 83", CLEAR ANODIZED FINISH.
- PANIC HARDWARE: EXIT ONLY PANIC, NO CYLINDER
- VON DUPRIN 9975EO LD 36" SP28
- ELECTRIC STRIKE: VON DUPRIN 6211 24V FSE DC
- HORN: SCHLAGE, L1910-1
- PUSH BUTTON ACCESS DEVICE: (2 EA) SCHLAGE 821 RD-DA HDP 626
- POWER SUPPLY: SCHLAGE P902
- WEATHER STRIPPING: NATIONAL GUARD 160V 36" x 84"
- DOOR SILENCERS: HAGER, QUANTITY = 3
- 4"x25" VIEW WINDOW: NATIONAL GUARD L-VGLF-MD, CLEAR VIEW FRAME/VIEW WINDOW
- 10" LATCH GUARD: HAGER-CLP-110
- DOOR SWEEP: VON DUPRIN, 990 DT
- 24"x46" DIAMOND TREAD PLATE (McTREAD PLATE) - .063" THICK (INTERIOR FACE ONLY)

- *4597 PLAYPLACE BUILDING ONLY, ADD ADDITIONAL HARDWARE:
- THRESHOLD: NATIONAL GUARD PRODUCTS, INC. SADDLE TYPE THRESHOLD 325HD, 36" WIDE x 1/2" RISE (ADA ACCESSIBLE).
 - DOOR SWEEP: NATIONAL GUARD 101AV 36"

DOOR #11

- CLOSER: LCN LDP4A031 SNB ALUM, PULL SIDE MOUNTED
- HINGES: HAGER -BB1279 4 1/2"x 4 1/2" - 1-1/2 PAIR OR EQUAL
- LOCKSET: SCHLAGE ND-40S RHOD US26 D FINISH.
- KICK PLATES: HAGER 190S US28, ALUM, 8" x 34" (2) PER DOOR
- DOOR SILENCERS: HAGER, QUANTITY = 3
- SAFETY GUARDS: FINGER SAFE MKIB OPEN HINGE SIDE AND MKIB CLOSED HINGE SIDE OF DOOR, BRN
- TOE GUARD 202 NA 36" - ALUM (202 N DKB-BRONZE)

DOOR #12 (EMERGENCY EXIT ONLY)

- CLOSER: LCN 4041 x 18
- HINGES: OFFSET PIVOT SET, GRADE 1 CAST ALUMINUM ALLOY AS SUPPLIED BY DOOR MANUFACTURER.
- PANIC HARDWARE: ADAMS RITE MFG. CO. 8800 SERIES (EXIT ONLY) (FINISH TO MATCH STOREFRONT DOOR)
- THRESHOLD: NATIONAL GUARD PRODUCTS, INC. SADDLE TYPE THRESHOLD 325, 36" WIDE x 1/2" RISE (ADA ACCESSIBLE).
- WEATHER STRIPPING: PROVIDE COMPRESSION WEATHER STRIPPING AGAINST FIXED STOPS. AT OTHER EDGES PROVIDE SLIDING WEATHER STRIPPING RETAINED IN ADJUSTABLE STRIP MORTISED INTO DOOR EDGE. PROVIDE EPDM OR VINYL GASKET WEATHER STRIPPING IN BOTTOM DOOR RAIL ADJUSTABLE FOR CONTACT W/THRESHOLD.
- ALARM: DETEX MODEL NO. EAX-2500-ACS.

DOOR #13

- HINGES: HAGER BB1279 US 26D 4 1/2" x 4 1/2" - 1-1/2 PAIR, OR EQUAL
- LOCKSET: SCHLAGE N80PD RHODES US28 D FINISH

DOOR #14

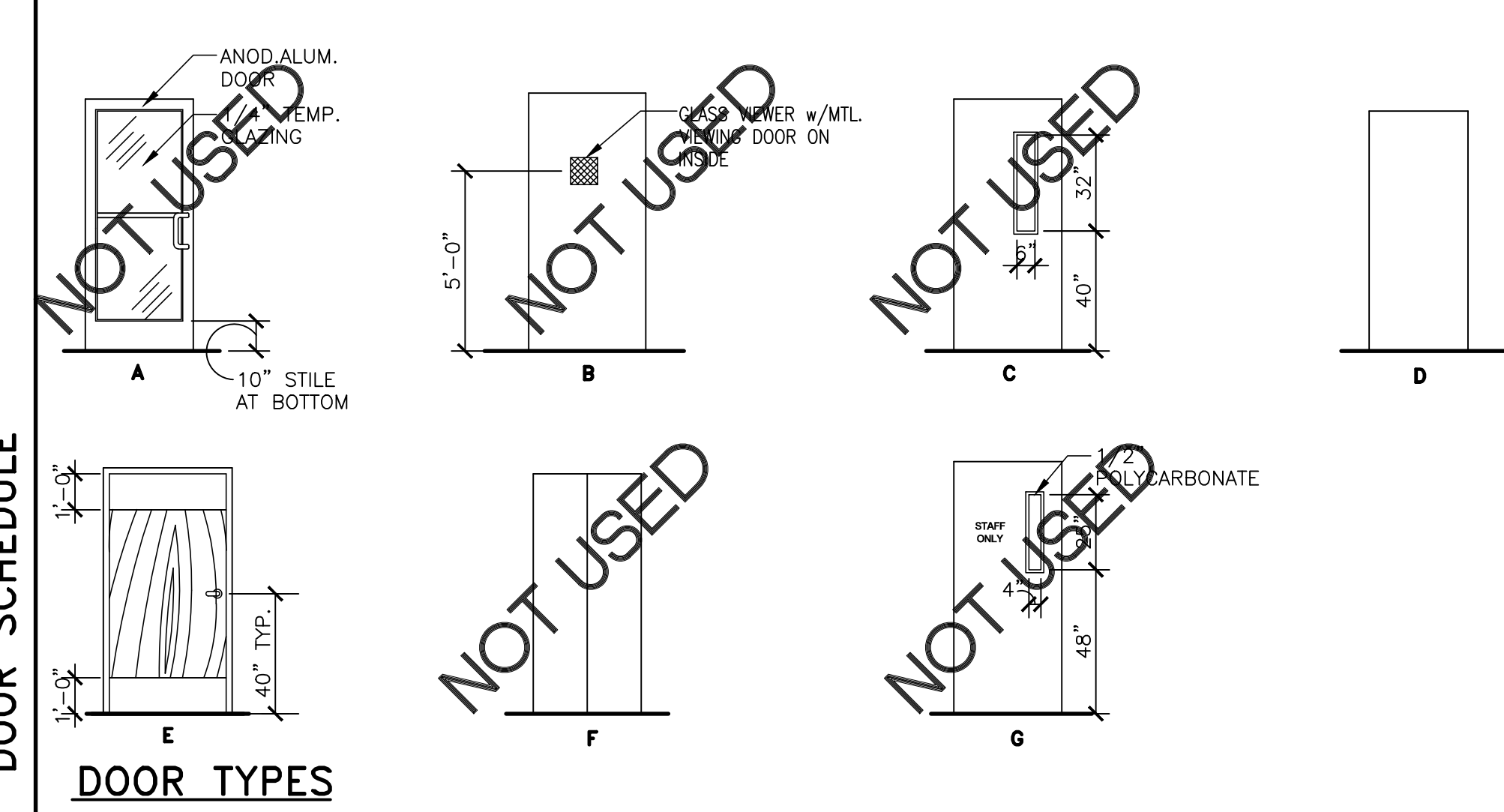
- HINGES: HAGER BB1279 US 26D 4 1/2" x 4 1/2" - 1-1/2 PAIR, OR EQUAL
- LOCKSET: SCHLAGE N80PD RHODES US28 D FINISH

DOOR SCHEDULE

MARK	DOOR	MATERIAL	SIZE	TYPE	FRAME	JAMB	SIDE
1	ALUM.	ALUM.	3'-0"x7'-0"x1 3/4"	A	ALUM.	(NOTE 5)	
1A	NOT USED	NOT USED					
2	ALUM.	ALUM.	3'-0"x7'-0"x1 3/4"	A	ALUM.	(NOTE 5)	
3	NOT USED	NOT USED					
3A	NOT USED	NOT USED					
4	NOT USED	NOT USED					
5	S.C. WOOD W/ LAM.	S.C. WOOD W/ LAM.	3'-0"x6'-8"x1 3/4"	D	H.M.	2"JAMB & HEAD	
6	S.C. WOOD W/ LAM.	S.C. WOOD W/ LAM.	3'-0"x4'-8"x1 3/4"	E	H.M.	2"JAMB & HEAD	
6A	S.C. WOOD W/ LAM.	S.C. WOOD W/ LAM.	2'-6"x4'-8"x1 3/4"	E	H.M.	2"JAMB & HEAD	
7	NOT USED	NOT USED					
8	NOT USED	NOT USED					
8A	NOT USED	NOT USED					
8B	NOT USED	NOT USED					
9	NOT USED	NOT USED					
10	NOT USED	NOT USED					
11	NOT USED	NOT USED					
12	NOT USED	NOT USED					
13	NOT USED	NOT USED					
14	NOT USED	NOT USED					

GENERAL DOOR NOTES:

- GO TO INSTALL ACCESSIBILITY DOOR SIGNS WHERE REQ'D BY LOCAL CODES.
- DETEX ALARM CONTACT SWITCHES SHALL BE RECESSED INTO THE TOP OF THE DOOR & HOLLOW METAL FRAME ABOVE.
- DOORS, DOOR FRAMES, & HARDWARE FOR DOORS 5, 6 SUPPLIED BY: UNIVERSAL MANUFACTURING 1-800-821-1414.
- DOOR 9 - EXISTING, NO CHANGE -
- SEE ELEVATIONS AND WALL SECTIONS
- ALL INTERIOR SOLID CORE WOOD DOORS TO HAVE A LAMINATED FINISH, AS INDICATED PER DECOR DWGS
- DOOR 8, 8A, & 8B - EXISTING, NO CHANGE -



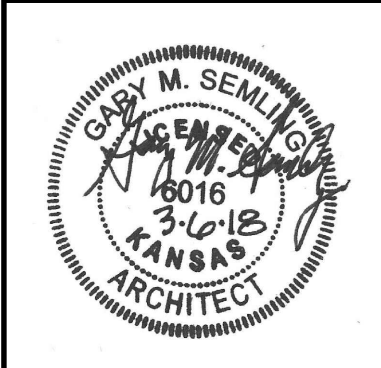
DOOR TYPES

DOOR HARDWARE

REV	DATE	DESCRIPTION
1	04/03/18	ISSUED PER CITY/DC COMMENTS
	03/09/18	ISSUED FOR PERMIT

Stantec
 Stantec Architecture Inc. | Tel. 312.554.1400
 224 S. Michigan Ave. | Fox. 312.554.1412
 Chicago, IL U.S.A. 60604 | www.stantec.com

©2012 McDonald's USA, LLC
McDonald's USA, LLC
 These drawings and specifications are the confidential and proprietary property of McDonald's USA, LLC. No part of these drawings or specifications may be reproduced, stored in a retrieval system, or transmitted in any form or by any means, electronic, mechanical, photocopying, recording, or by any information storage and retrieval system, without the prior written permission of McDonald's USA, LLC. Use of these drawings or specifications for any project other than that for which they were prepared is prohibited. The contractor shall be responsible for obtaining all necessary permits and approvals for the work shown on these drawings. The contractor shall be responsible for obtaining all necessary permits and approvals for the work shown on these drawings. The contractor shall be responsible for obtaining all necessary permits and approvals for the work shown on these drawings.



BRAND REVIEW	PLANNING	PERMIT	CONSTRUCTION
07/12/2018		03/06/2018	

STATE SITE CODE: 015-0079
 DRAWN BY: DR
 PROJECT ADDRESS: 2214 PRINCETON CIRCLE DR OTTAWA, KS 66067
 PROJECT CAD FILE: 2014047062

A6.0