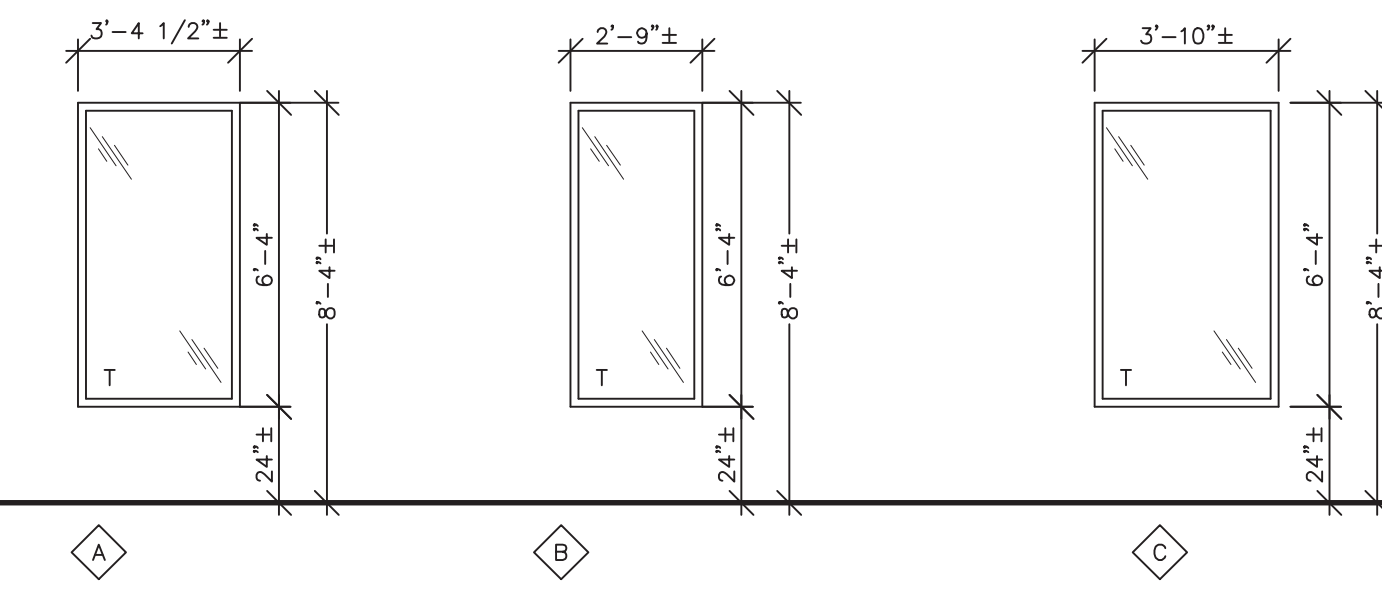


WINDOW TYPES



- NOTES:
- SEE SPECIFICATIONS FOR GLASS TYPES.
 - T = TEMPERED GLASS
 - FOR EXTERIOR ASSEMBLY, REFER TO SHEET 8/A5.0
 - NEW GLAZING FRAMES TO MATCH EXISTING FINISH: CLEAR ANODIZED ALUMINUM

- SOLAR-CONTROL LOW-E INSULATING-GLASS UNITS (GL-1):
- BASIS-OF-DESIGN PRODUCT: PPG INDUSTRIES, INC.; SOLORBAN 60, CLEAR, OR A COMPARABLE PRODUCT BY ONE OF THE FOLLOWING:
 - PILKINGTON SALES (NORTH AMERICA) LTD
 - VIRACON.
 - OVERALL UNIT THICKNESS AND THICKNESS OF EACH LITE: 1-INCH AND 1/4-INCH.
 - INTERSPACE CONTENT: ARGON.
 - OUTDOOR LITE: CLASS 1 (CLEAR) FLOAT GLASS, 1/4-INCH THICK
 - INDOOR LITE: CLASS 1 (CLEAR) FLOAT GLASS, 1/4-INCH THICK
 - LOW-E COATING: SPUTTERED ON SECOND SURFACE.

SPANDREL GLAZING SPECIFICATION:
 NEW SPANDREL GLASS IN (E) ALUMINUM STOREFRONT. PPG SOLAR GRAY OUTER GLASS WITH #1-818 BLACK OACI-COAT-300 ON INSIDE SURFACE. PROVIDE INSULATED SEALED METAL BACK PAN

GENERAL NOTES:

- ALL EXIT DOORS SHALL BE KEYLESS IN THE DIRECTION OF EGRESS.
 - THE OPENING FORCE OF ALL EXT. PUSH/PULL DOORS SHALL NOT EXCEED 5 LBS.
 - THE OPENING FORCE OF ALL INTERIOR PUSH/PULL DOORS SHALL NOT EXCEED 5 LBS.
 - PROVIDE PANIC HARDWARE FOR ALL EXTERIOR DOORS AS NOTED ON THE DOOR SCHEDULE
 - ALL DOOR HARDWARE SHALL NOT REQUIRE TIGHT GRASPING, TIGHT PINCHING OR TWISTING OF THE WRIST TO OPERATE.
 - EXIT DOOR HARDWARE SHALL BE OPERABLE FROM THE INSIDE WITHOUT THE USE OF A KEY OR SPECIAL KNOWLEDGE OR EFFORT.
- DOOR #1**
- CLOSER: LCN 4021 x 18
 - HINGES: OFFSET PIVOT ANSI -A-156.4 GRADE 1; PROVIDE EXPOSED PARTS OF CAST ALUMINUM ALLOY, AS SUPPLIED BY DOOR MANUFACTURER.
 - PUSH/PULL HANDLE: KAWNEER #CO-9 OR HAGER PUSH/PULL SET 164D/V/B.
 - PANIC HARDWARE: ADAMS RITE MFG. CO. 8800 SERIES WITH OUTSIDE CYLINDER (FINISH TO MATCH STOREFRONT DOOR)
 - THRESHOLD: NATIONAL GUARD PRODUCTS, INC. SADDLE TYPE THRESHOLD 325, 36" WIDE x 1/2" RISE (ADA ACCESSIBLE).
 - WEATHER STRIPPING: PROVIDE COMPRESSION WEATHER STRIPPING AGAINST FIXED STOPS. AT OTHER EDGES PROVIDE SLIDING WEATHER STRIPPING RETAINED IN ADJUSTABLE STRIP MORTISED INTO DOOR EDGE. PROVIDE EPDM OR VINYL GASKET WEATHER STRIPPING IN BOTTOM DOOR RAIL ADJUSTABLE FOR CONTACT W/ THRESHOLD.
 - SIGN: MOUNT ONTO DOOR, TO READ "THIS DOOR MUST REMAIN UNLOCKED WHENEVER THE BUILDING IS OCCUPIED/DURING BUSINESS HOURS."
- DOOR #1A**
- CLOSER: LCN 4021 x 18
 - HINGES: OFFSET PIVOT ANSI -A-156.4 GRADE 1; PROVIDE EXPOSED PARTS OF CAST ALUMINUM ALLOY, AS SUPPLIED BY DOOR MANUFACTURER.
 - PUSH/PULL HANDLE: KAWNEER #CO-9 OR HAGER PUSH/PULL SET 164D/V/B.
 - PANIC HARDWARE: ADAMS RITE MFG. CO. 8800 SERIES WITH OUTSIDE CYLINDER (FINISH TO MATCH STOREFRONT DOOR)
 - THRESHOLD: NATIONAL GUARD PRODUCTS, INC. SADDLE TYPE THRESHOLD 325, 36" WIDE x 1/2" RISE (ADA ACCESSIBLE).
 - WEATHER STRIPPING: PROVIDE COMPRESSION WEATHER STRIPPING AGAINST FIXED STOPS. AT OTHER EDGES PROVIDE SLIDING WEATHER STRIPPING RETAINED IN ADJUSTABLE STRIP MORTISED INTO DOOR EDGE. PROVIDE EPDM OR VINYL GASKET WEATHER STRIPPING IN BOTTOM DOOR RAIL ADJUSTABLE FOR CONTACT W/ THRESHOLD.
 - SIGN: MOUNT ONTO DOOR, TO READ "THIS DOOR MUST REMAIN UNLOCKED WHENEVER THE BUILDING IS OCCUPIED/DURING BUSINESS HOURS."
- DOOR #2**
- CLOSER: LCN 4041 x 18
 - HINGES: OFFSET PIVOT ANSI -A-156.4 GRADE 1; PROVIDE EXPOSED PARTS OF CAST ALUMINUM ALLOY, AS SUPPLIED BY DOOR MANUFACTURER.
 - PUSH/PULL HANDLE: HAGER PUSH/PULL SET 164D/V/B
- DOOR #3**
- CLOSER: 4111 H-CUSH ALUM
 - HINGE: HAGER ROTON 780-112HD 83", CLEAR ANODIZED FINISH.
 - PANIC HARDWARE: EXIT ONLY PANIC, NO CYLINDER
 - PULL HANDLE: VON DUPRIN 9975EO LD 48" SP28
 - DETEX: MODEL NO. EAX-2500 FLUSH DOOR ALARM.
 - WEATHER STRIPPING: NATIONAL GUARD 160V. 36" x 84"
 - DOOR SILENCERS: HAGER, QUANTITY = 3.
 - 9"x9" SECURITY FRAME VIEW WINDOW W/FLOP BY NATIONAL GUARD. L-VGLF-MD
 - THRESHOLD: NATIONAL GUARD PRODUCTS, INC. SADDLE TYPE THRESHOLD 325HD, 48" WIDE x 1/2" RISE (ADA ACCESSIBLE).
 - DOOR SWEEPER: NATIONAL GUARD 101AV 48"
 - 24"x46" DIAMOND TREAD PLATE (McTREAD PLATE) - .063" THICK (INTERIOR FACE ONLY)
 - 12" LATCH GUARD
- DOOR #3A**
- HINGE: HAGER ROTON 780-112HD 83", CLEAR ANODIZED FINISH.
 - LOCKSET: SCHLAGE DEAD BOLT LOCK B-661B #28
 - PULL HANDLE: HAGER H3E US28
 - LATCH GUARD: DON-JO CLP110 US28 D
 - WEATHER STRIPPING: NATIONAL GUARD 160V. 36" x 84"
 - DOOR SILENCERS: HAGER, QUANTITY = 3
 - THRESHOLD: NATIONAL GUARD PRODUCTS, INC. SADDLE TYPE THRESHOLD 325HD, 48" WIDE x 1/2" RISE (ADA ACCESSIBLE).
 - DOOR SWEEPER: NATIONAL GUARD 101AV 48"
 - 24"x46" DIAMOND TREAD PLATE (McTREAD PLATE) - .063" THICK (INTERIOR FACE ONLY)

DOOR #4

- CLOSER: 4111 H-CUSH ALUM
 - HINGE: HAGER ROTON 780-112HD 83", CLEAR ANODIZED FINISH.
 - PANIC HARDWARE: EXIT ONLY PANIC, NO CYLINDER
 - PULL HANDLE: VON DUPRIN 9975EO LD 36" SP28
 - DETEX: MODEL NO. EAX-2500 FLUSH DOOR ALARM.
 - WEATHER STRIPPING: NATIONAL GUARD 160V. 36" x 84"
 - DOOR SILENCERS: HAGER, QUANTITY = 3.
 - 9"x9" SECURITY FRAME VIEW WINDOW W/FLOP BY NATIONAL GUARD. L-VGLF-MD
 - THRESHOLD: NATIONAL GUARD PRODUCTS, INC. SADDLE TYPE THRESHOLD 325HD, 36" WIDE x 1/2" RISE (ADA ACCESSIBLE).
 - DOOR SWEEPER: NATIONAL GUARD 101AV 36"
 - 12" LATCH GUARD
- DOOR #5**
- CLOSER: LCN LDP4A031 SNB ALUM, PULL SIDE MOUNTED
 - HINGES: HAGER BB1279 US 26D 4 1/2" x 4 1/2" - 1-1/2" PAIR OR EQUAL.
 - PUSH & PULL PLATE: PUSH - HAGER 305 4x16 US 28; PULL - HAGER H33E 4x16 US 28
 - WALL STOP: HAGER 236W US 32 D
 - KICK PLATES: HAGER 1905 US28, ALUM, 8" x 34" (2) PER DOOR
 - DOOR SILENCERS: HAGER, QUANTITY = 3
 - SAFETY GUARDS: HAGER SAFE MKIB OPEN HINGE SIDE AND MKIB CLOSED HINGE SIDE OF DOOR, BRN
 - UNDERCUT DOOR BY 3/4"
- DOOR #6**
- HINGES: HAGER BB1250 US 26D 4 1/2" x 4 1/2" - 1 PAIR AND HAGER BB1279 US 26D 4 1/2" x 4 1/2" - 1/2 PAIR
 - LOCKSET: HAGER #3215 (modified) US 26D DEAD BOLT
 - PULL HANDLE: HAGER CA09 CFC 2 1/8 32D (EACH SIDE)
 - WALL STOP: HAGER 236W US 32 D
 - COAT HOOK: BRADLEY 932 ROBE HOOK, INSIDE FACE OF DOOR AT 48" A.F.F.
- DOOR #6A**
- HINGES: HAGER BB1250 US 26D 4 1/2" x 4 1/2" - 1 PAIR AND HAGER BB1279 US 26D 4 1/2" x 4 1/2" - 1/2 PAIR
 - LOCKSET: HAGER #3215 (modified) US 26D DEAD BOLT
 - PULL HANDLE: HAGER CA09 CFC 2 1/8 32D (EACH SIDE)
 - WALL STOP: HAGER 236W US 32 D
 - COAT HOOK: BRADLEY 932 ROBE HOOK, INSIDE FACE OF DOOR AT 48" A.F.F.
- DOOR #7**
- HINGES: HAGER BB1279 US26D 4 1/2" x 4 1/2" - 1-1/2 PAIR, OR EQUAL
 - LOCKSET: SCHLAGE N80PD RHODES US26 D FINISH
- DOOR #8**
- HINGES: HAGER BB1279 US26D 4 1/2" x 4 1/2" - 1-1/2 PAIR, OR EQUAL
 - LOCKSET: SCHLAGE N80PD RHODES US26 D FINISH
 - GRILLE: NATIONAL GUARD L-700 16" x 24" 1/2" 48" LOWEDED GRILLE AT BASE OF DOOR.
- DOOR #8A**
- HINGES: HAGER BB1279 US26D 4 1/2" x 4 1/2" - 1-1/2 PAIR, OR EQUAL
 - LOCKSET: SCHLAGE N80PD RHODES US26 D FINISH
 - FLUSH BOLTS: HAGER 263D US26D FINISH
- DOOR #8B**
- HINGES: HAGER BB1279 US26D 4 1/2" x 4 1/2" - 1-1/2 PAIR, OR EQUAL
 - LOCKSET: SCHLAGE N80PD RHODES US26 D FINISH
 - FLUSH BOLTS: HAGER 263D US26D FINISH
- DOOR #13**
- HINGES: HAGER BB1279 US26D 4 1/2" x 4 1/2" - 1-1/2 PAIR, OR EQUAL
 - LOCKSET: SCHLAGE N80PD RHODES US26 D FINISH
- DOOR #14**
- HINGES: HAGER BB1279 US26D 4 1/2" x 4 1/2" - 1-1/2 PAIR, OR EQUAL
 - LOCKSET: SCHLAGE N80PD RHODES US26 D FINISH

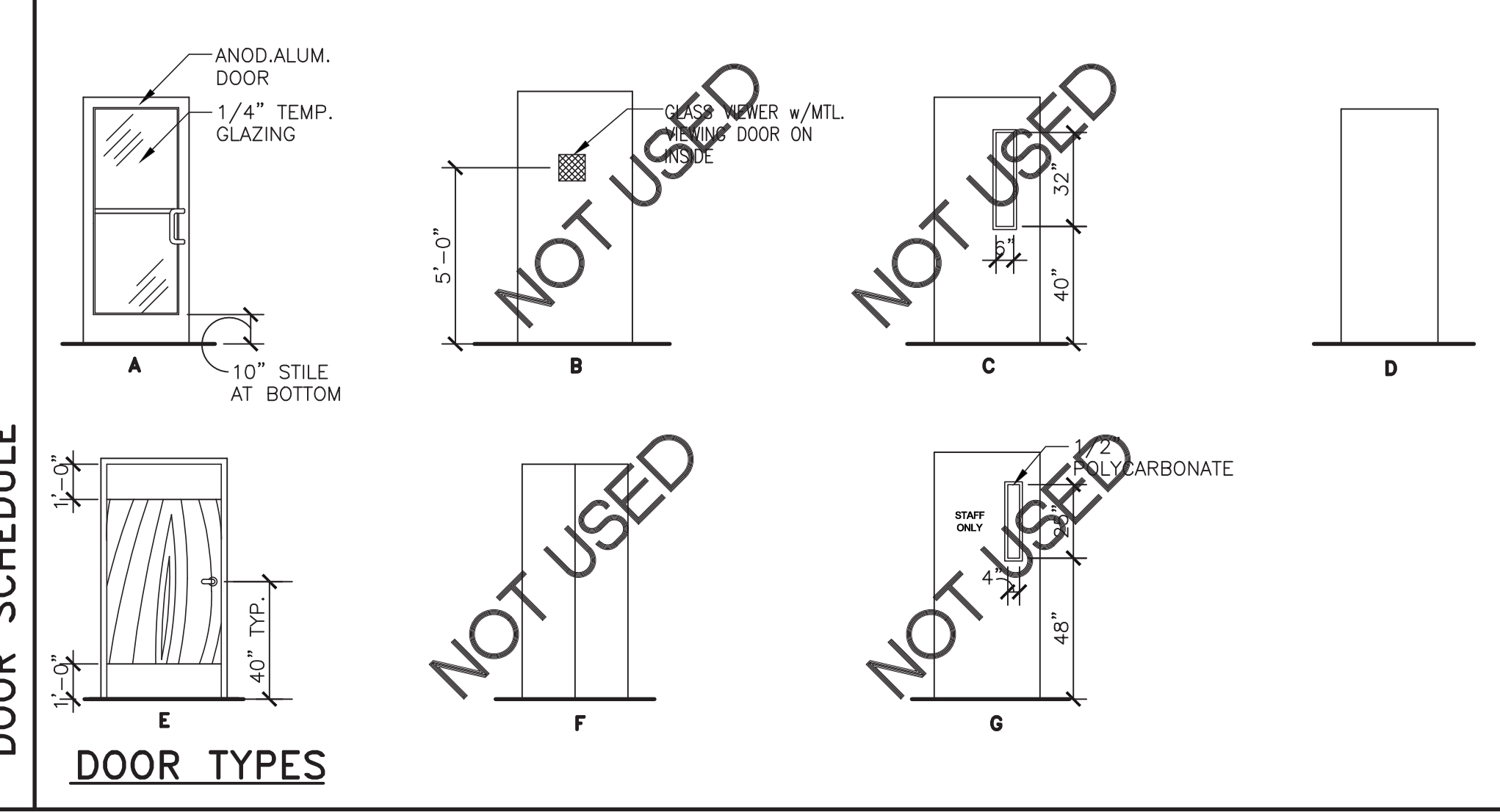
DOOR #9

- ALL DOOR HARDWARE FOR THE REFRIGERATED COOLER / FREEZER SHALL BE PROVIDED BY THE MANUFACTURER.
 - MANUFACTURER: KOLPAK @ HY 614 N. MARSHALL PARK ROAD PARSONS, TN 38363 PHONE: 800-344-4675
 - HARDWARE PROVIDED:
 - MAGNETIC PERMITTER DOOR GASKET
 - THRESHOLD REINFORCED PLASTIC (FRP)
 - POS SEAL DOOR CLOSURE
 - STATIONARY CHROME DOOR PULL HANDLE
 - INTERIOR SAFETY RELEASE HANDLE
 - HINGES - BRUSHED CHROME CAST ALLOY
- DOOR #10**
- CLOSER: 4111 H-CUSH ALUM
 - HINGE: HAGER ROTON 780-112HD 83", CLEAR ANODIZED FINISH.
 - PANIC HARDWARE: EXIT ONLY PANIC, NO CYLINDER
 - VON DUPRIN 9975EO LD 36" SP28
 - ELECTRIC STRIKE: VON DUPRIN 6211 24V FSE DC
 - HORN: SCHLAGE, L1910-1
 - PUSH BUTTON ACCESS DEVICE: (2 EA) SCHLAGE 821 RD-DA HDP 626
 - POWER SUPPLY: SCHLAGE P902
 - WEATHER STRIPPING: NATIONAL GUARD 160V. 36" x 84"
 - DOOR SILENCERS: HAGER, QUANTITY = 3
 - 4"x25" VIEW WINDOW: NATIONAL GUARD L-VGLF-MD, CLEAR VIEW FRAME/VIEW WINDOW
 - 10" LATCH GUARD: HAGER-CLP-110
 - DOOR SWEEPER: VON DUPRIN, 990 DT
 - 24"x46" DIAMOND TREAD PLATE (McTREAD PLATE) - .063" THICK (INTERIOR FACE ONLY)
 - *4597 PLAYPLACE BUILDING ONLY, ADD ADDITIONAL HARDWARE:
 - THRESHOLD: NATIONAL GUARD PRODUCTS, INC. SADDLE TYPE THRESHOLD 325HD, 36" WIDE x 1/2" RISE (ADA ACCESSIBLE).
 - DOOR SWEEP: NATIONAL GUARD 101AV 36"
- DOOR #11**
- CLOSER: LCN LDP4A031 SNB ALUM, PULL SIDE MOUNTED
 - HINGES: HAGER -BB1279 4 1/2"x4 1/2" - 1-1/2 PAIR OR EQUAL.
 - LOCKSET: SCHLAGE ND-405 RHOD US26 D FINISH.
 - KICK PLATES: HAGER 1905 US28, ALUM, 8" x 34" (2) PER DOOR
 - DOOR SILENCERS: HAGER, QUANTITY = 3
 - SAFETY GUARDS: HAGER SAFE MKIB OPEN HINGE SIDE AND MKIB CLOSED HINGE SIDE OF DOOR, BRN
 - TOE GUARD 202 NA 36" - ALUM (202 N DKB-BRONZE)
- DOOR #12 (EMERGENCY EXIT ONLY)**
- CLOSER: LCN 4041 x 18
 - HINGES: OFFSET PIVOT SET, GRADE 1 CAST ALUMINUM ALLOY AS SUPPLIED BY DOOR MANUFACTURER.
 - PANIC HARDWARE: ADAMS RITE MFG. CO. 8800 SERIES (EXIT ONLY) (FINISH TO MATCH STOREFRONT DOOR)
 - THRESHOLD: NATIONAL GUARD PRODUCTS, INC. SADDLE TYPE THRESHOLD 325, 36" WIDE x 1/2" RISE (ADA ACCESSIBLE).
 - WEATHER STRIPPING: PROVIDE COMPRESSION WEATHER STRIPPING AGAINST FIXED STOPS. AT OTHER EDGES PROVIDE SLIDING WEATHER STRIPPING RETAINED IN STOPS. AT OTHER EDGES PROVIDE SLIDING WEATHER STRIPPING RETAINED IN ADJUSTABLE STRIP MORTISED INTO DOOR EDGE. PROVIDE EPDM OR VINYL GASKET WEATHER STRIPPING IN BOTTOM DOOR RAIL ADJUSTABLE FOR CONTACT W/THRESHOLD.
 - ALARM: DETEX MODEL NO. EAX-2500-ACS.
- DOOR #13**
- HINGES: HAGER BB1279 US26D 4 1/2" x 4 1/2" - 1-1/2 PAIR, OR EQUAL
 - LOCKSET: SCHLAGE N80PD RHODES US26 D FINISH
- DOOR #14**
- HINGES: HAGER BB1279 US26D 4 1/2" x 4 1/2" - 1-1/2 PAIR, OR EQUAL
 - LOCKSET: SCHLAGE N80PD RHODES US26 D FINISH

DOOR SCHEDULE

MARK	DOOR	MATERIAL	SIZE	TYPE	FRAME	SIZE
1	ALUM.	ALUM.	3'-0"x7'-0"x1 3/4"	A	ALUM.	(NOTE 5)
1A	NOT USED	NOT USED				
2	NOT USED	NOT USED				
3	NOT USED	NOT USED				
3A	NOT USED	NOT USED				
4	NOT USED	NOT USED				
5	S.C. WOOD W/ LAM.	2	3'-0"x6'-8"x1 3/4"	D	H.M.	2"JAMB & HEAD
6	S.C. WOOD W/ LAM.	2	3'-0"x6'-8"x1 3/4"	E	H.M.	2"JAMB & HEAD
6A	S.C. WOOD W/ LAM.	2	2'-6"x4'-8"x1 3/4"	E	H.M.	2"JAMB & HEAD
7	NOT USED	NOT USED				
8	NOT USED	NOT USED				
8A	NOT USED	NOT USED				
8B	NOT USED	NOT USED				
9	NOT USED	NOT USED				
10	NOT USED	NOT USED				
11	NOT USED	NOT USED				
12	NOT USED	NOT USED				
13	NOT USED	NOT USED				
14	NOT USED	NOT USED				

- GENERAL DOOR NOTES:
- GC TO INSTALL ACCESSIBILITY DOOR SIGNS WHERE REQ'D BY LOCAL CODES.
 - DETEX ALARM CONTACT SWITCHES SHALL BE RECESSED INTO THE TOP OF THE DOOR & HOLLOW METAL FRAME ABOVE.
 - DOORS, DOOR FRAMES, & HARDWARE FOR DOORS 5, 6 SUPPLIED BY: UNIVERSAL MANUFACTURING 1-800-821-1414.
 - DOOR 9 - EXISTING, NO CHANGE
 - SEE ELEVATIONS AND WALL SECTIONS
 - ALL INTERIOR SOLID CORE WOOD DOORS TO HAVE A LAMINATED FINISH, AS INDICATED PER DECOR DWGS
 - DOOR 8, 8A & 8B - EXISTING, NO CHANGE.



DOOR TYPES

DOOR HARDWARE

Stantec
 Stantec Architecture Inc. | Tel. 312.545.1400
 224 S. Michigan Ave. | Fax. 312.554.1412
 Suite 1400 | www.stantec.com
 Chicago, IL 60604 | C of A #2008034846
 Gary Samling, Architect

©2012 McDonald's USA, LLC
McDonald's USA, LLC
 These drawings and specifications are the confidential and proprietary information of McDonald's USA, LLC. No part of these drawings or specifications may be reproduced, stored in a retrieval system, or transmitted in any form or by any means, electronic, mechanical, photocopying, recording, or by any information storage and retrieval system, without the prior written authorization of McDonald's USA, LLC. The contractor shall be responsible for obtaining all necessary permits for use on this specific site in conjunction with its issue date and are not suitable for use on a different site or at a later time. Use of these drawings and specifications without the prior written consent of McDonald's USA, LLC is prohibited. Reproduction of these drawings and specifications without the prior written consent of McDonald's USA, LLC is prohibited. The contractor shall be responsible for obtaining all necessary permits for use on this specific site in conjunction with its issue date and are not suitable for use on a different site or at a later time. Use of these drawings and specifications without the prior written consent of McDonald's USA, LLC is prohibited. Reproduction of these drawings and specifications without the prior written consent of McDonald's USA, LLC is prohibited.

BRAND REVIEW: 02/22/2018
 PLANNING
 PERMIT: 05/15/2018
 BID
 CONSTRUCTION

DRAWING TITLE: SCHEDULES
 PROJECT ADDRESS: 3921 BOLGER INDEPENDENCE, MO
 PROJECT CAD FILE: 2014047067
 STATE SITE CODE: 024-0503
 DRAWN BY:

SHEET NO. **A6.0**